

Kado 25

Manual 2020

visplay

play it smart

Finish

Galvanised finishes



chrome



silk



pearl *

Suitable for merchandise supports and structural systems.
Not suitable for large surfaces or for system parts in aluminium.
* on request

Anodised finishes for aluminium



natural anodised aluminium



black anodised aluminium

Only for aluminium system parts, such as profiles, uprights and frames.

Powder-coated finishes duro



bright silver duro



sterling silver duro



black steel duro



traffic white duro

Duro powder-coated surfaces are suitable for all systems, as well as for merchandise supports subject to heavy abrasion.

Standard and special colours (powder-coated)



stone grey



bright silver mistral



dark bronze



forest green



night blue



khaki bronze



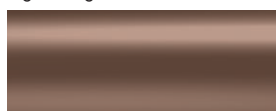
dolphin grey



highland green



champagne gold



rose bronze

Suitable for all systems – less so for merchandise supports subject to abrasion.

Dimensions are generally shown in inches (approximate) and millimetres (exact).

lto – Length to order

hto – Height to order

cto – Colour to order

L – Length

A – Axis

H – Height

Delivery time

Please check delivery times with us.

Air freight

Items which are to be dispatched by air must not exceed a total length of 3 metres.

📄 Drawings of wooden and glass shelves

Production drawings of shelves with the 6 digit part number are available for downloading on www.visplay.com or can be received on request.

📖 Assembly and operating instructions

Special assembly and operating instructions exist for all retail product ranges by Visplay in order to guarantee the functions and safety. These instructions contain important information e.g. maximum weight loads, assembly dimensions or information on the correct assembly and use. The respective assembly and operating instructions are included in the delivery of our systems. A general catalogue is also available on request for planning purposes. The assembly and operating instructions are also available for downloading on www.visplay.com or can be received on request.

ISO 9001 / ISO 14001

The safety of retail systems by Visplay is tested by the TÜV Rheinland LGA Products GmbH.

The safety of electric products is certified by the CE mark and the Underwriter Laboratories Inc.

All processes in our company are subject to a comprehensive management system which corresponds with the ISO 9001 quality standard and the ISO 14001 environment standard.

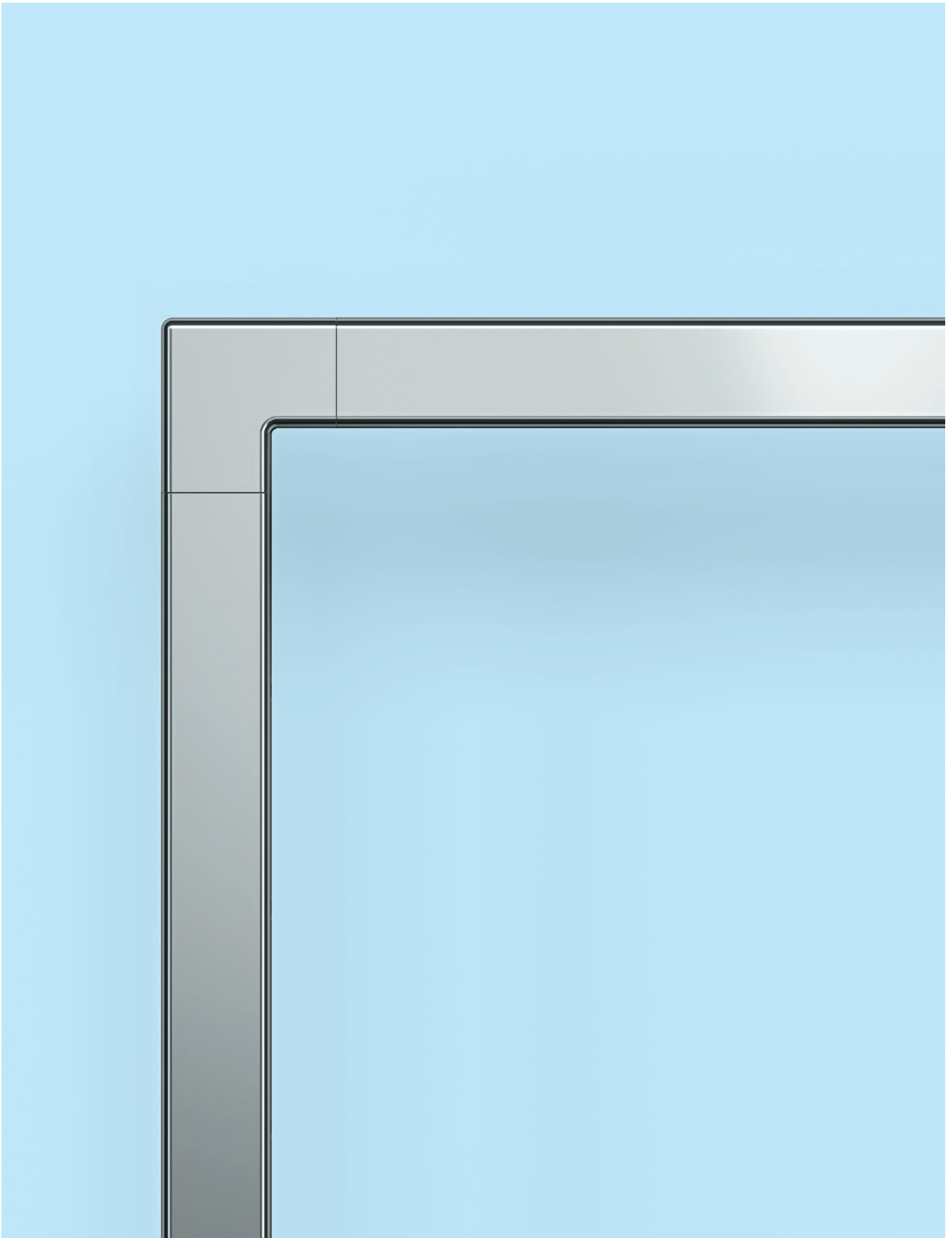
Copyright ©

All retail products by Visplay and their names are protected by intellectual property rights. This protection is valid for the basic system along with the merchandise supports and accessories.

In the event of infringement, Visplay reserves the right to take legal steps.

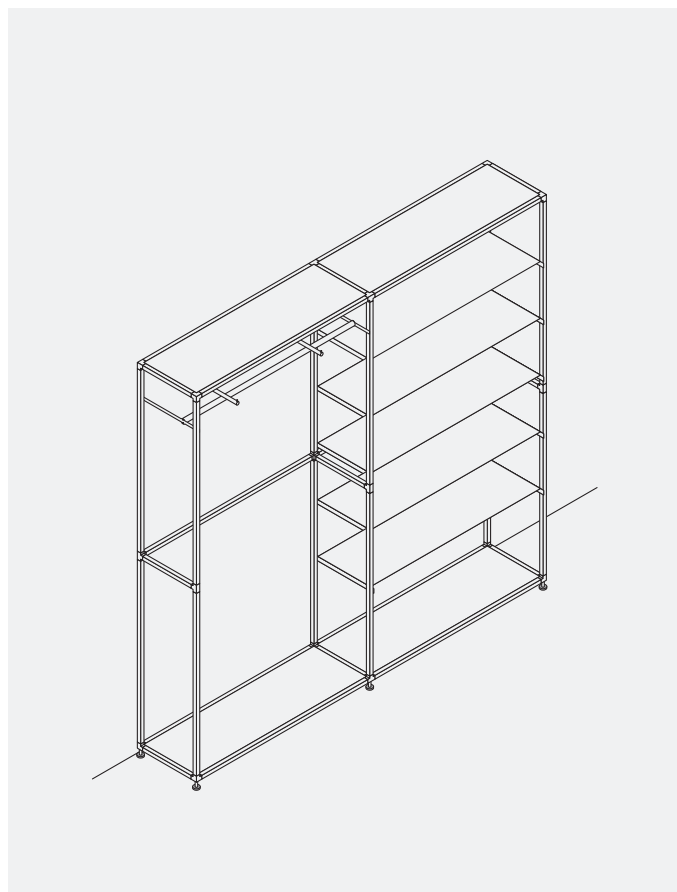
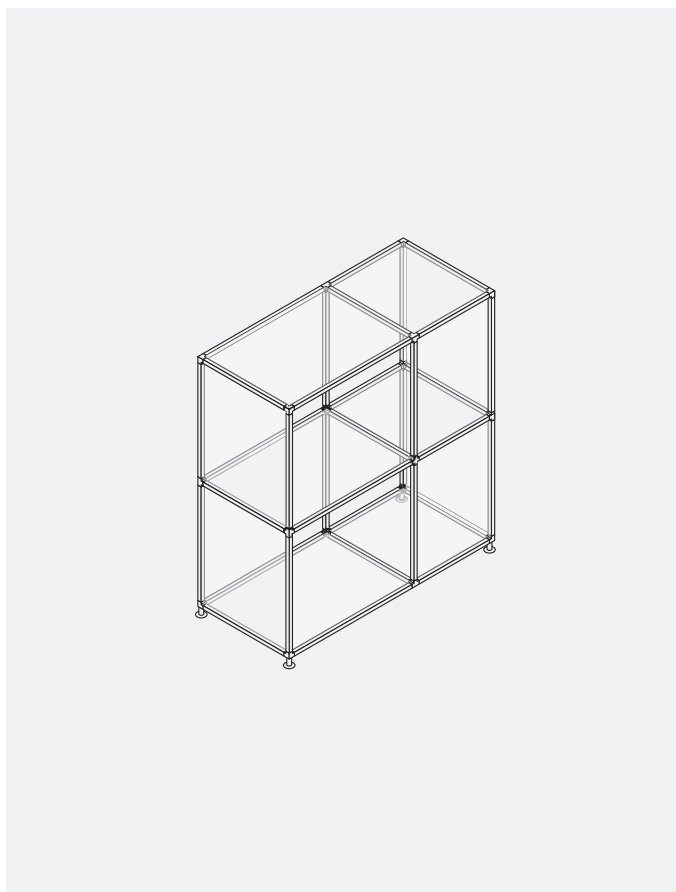
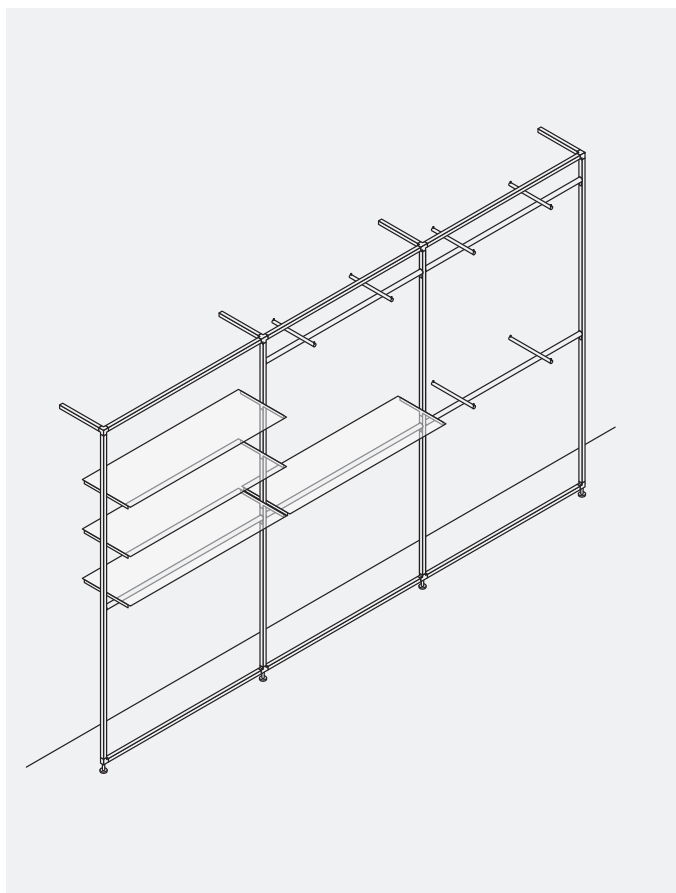
- Our general conditions of delivery and sale are valid for all orders.
- We reserve the right to make technical and formal alterations.





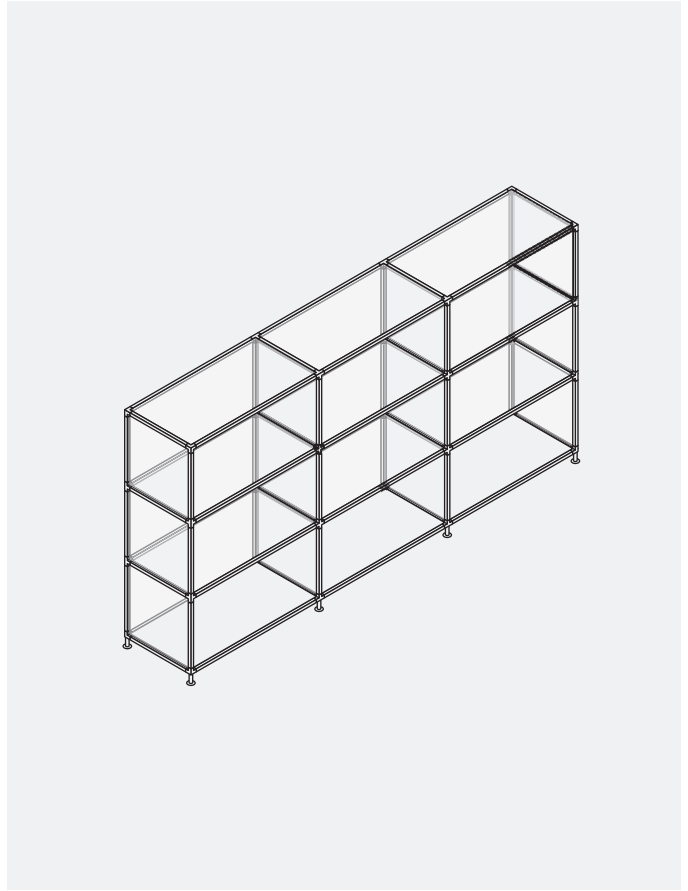
Kado 25

Modular

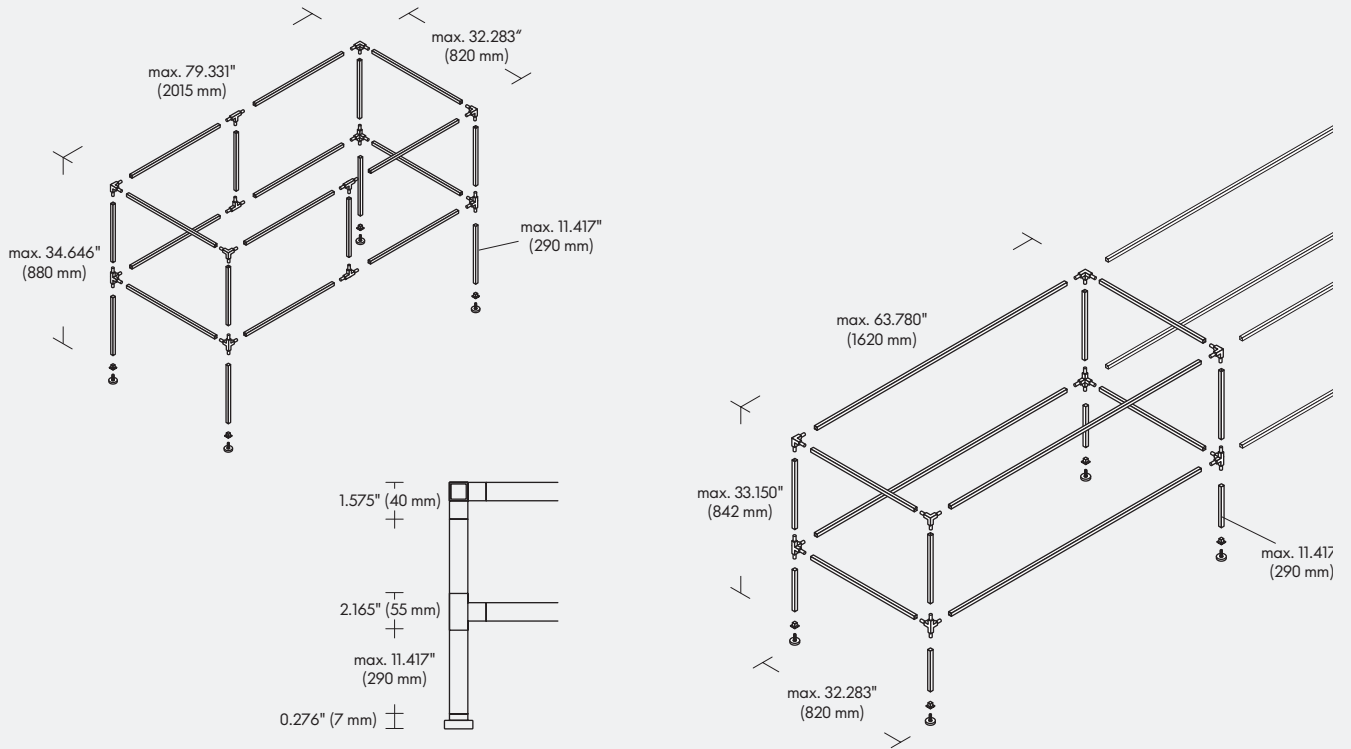


Kado 25

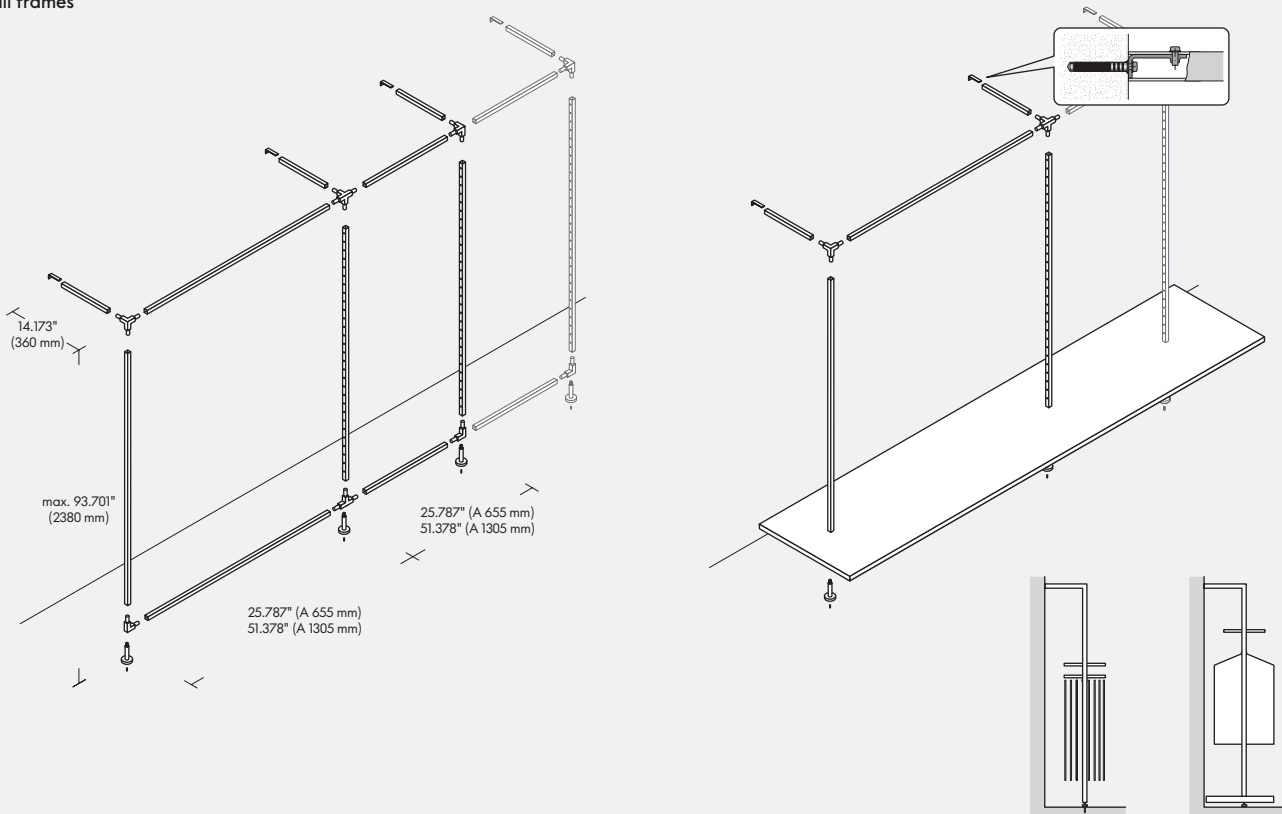
Modular



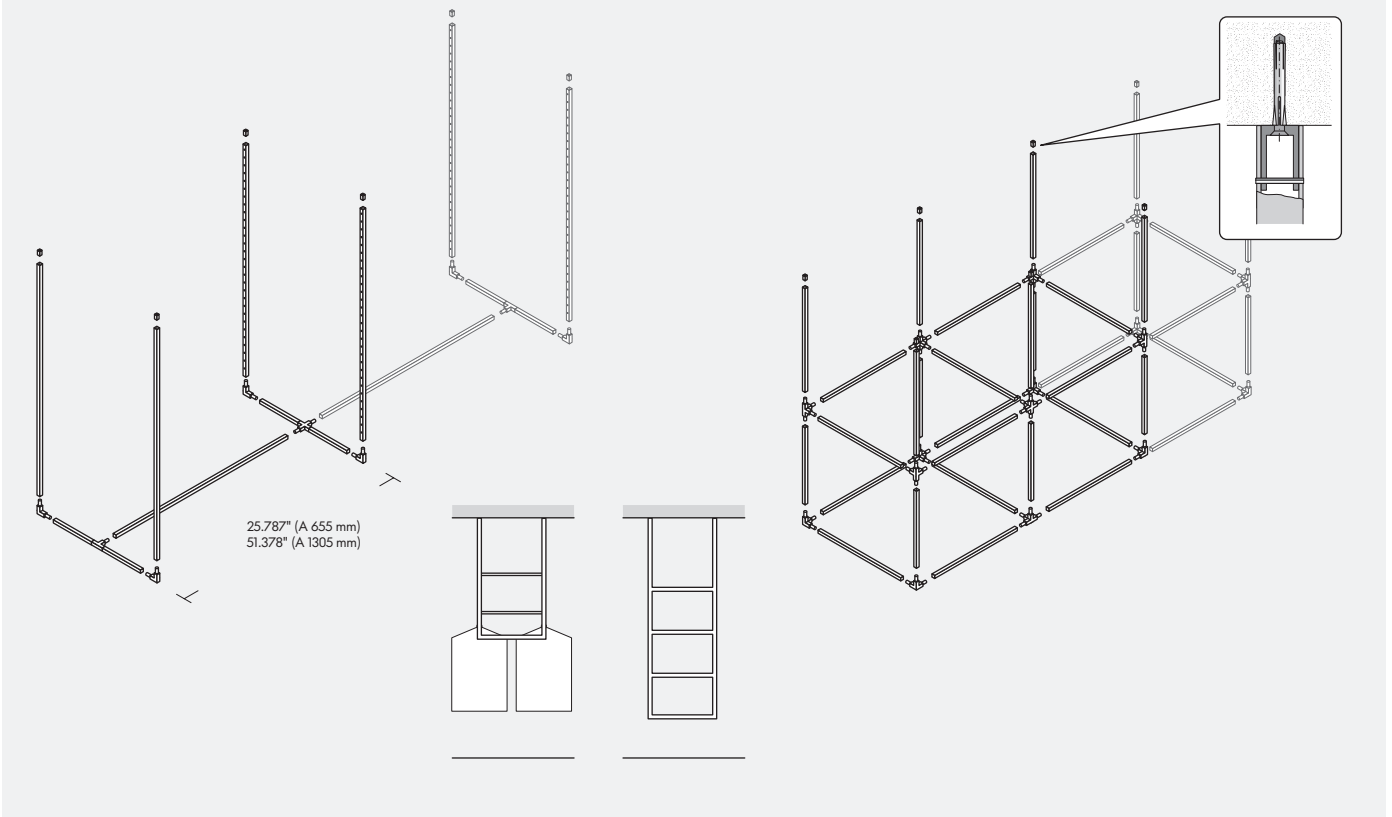
Tables



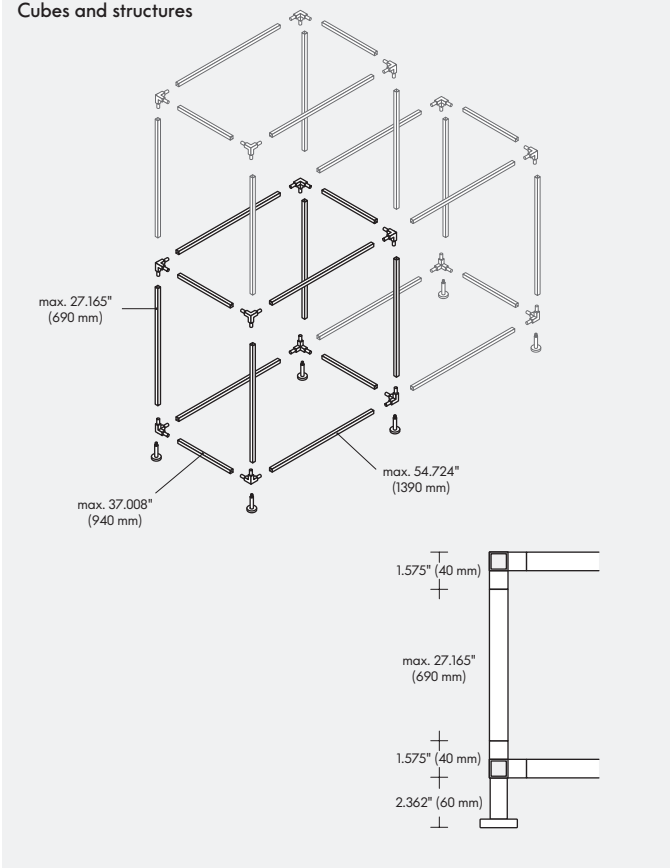
Wall frames



Wall frames and structures



Cubes and structures

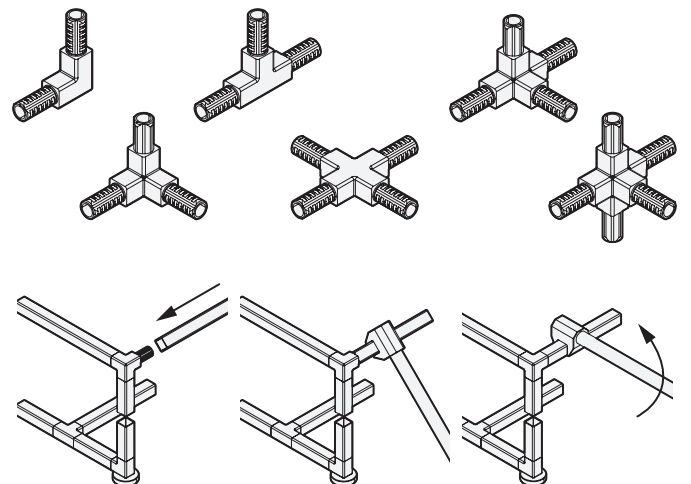


Kado 25 can be assembled easily without screws and combined into many configurations

Due to the system's versatility, we can assist you in the configuration of the Kado structures you require. For this we need you to send us a sketch of the required structure along with the following information:

- required dimensions of the structure
- information regarding the need for shelf supports for wooden or glass shelves
- surface finish required: chrome, silk or pearl
- whether it is destined for use without glides, with glides or rollers.

We will then configure the components for the structure you require. Just contact us.





Visplay Companies

Offices & Showrooms

USA

Visplay Inc.
7528 Walker Way
Allentown, PA 18106
USA
T +1 610 366 1658
visplay-usa@visplay.com

Germany

Visplay GmbH & Showroom
Charles-Eames-Strasse 2
79576 Weil am Rhein
Germany
T +49 (0)7621 702 4444
info@visplay.com

Visplay Switzerland & Austria

Charles-Eames-Str. 2
79576 Weil am Rhein
Germany
T +41 61 377 18 41
visplay-switzerland@visplay.com
visplay-austria@visplay.com

Visplay France & Belgium

So Square Opéra
5, Rue Boudreau
75009 Paris
France
T +33 01 56 77 07 93
visplay-france@visplay.com

Spain / Portugal / Latin America

Calle Padilla, 21
28006 Madrid
Spain
T +34 91 5775261
visplay-spain@visplay.com

USA Showroom

100 Gansevoort St.
New York, NY 10014
USA
visplay-usa@visplay.com

Visplay United Kingdom & Netherlands

30 Clerkenwell Road
London EC1M 5PG
T +44 207 608 6200
visplay-uk@visplay.com

Visplay USA

Visplay Inc.
7528 Walker Way
Allentown, PA 18106
USA
T +1 610 366 1658
visplay-usa@visplay.com

Visplay Exclusive Dealers / Sales Agents / Authorized Distributors

Australia

Distributed by MADE Retail Systems
Authorized Distributor
2 Stephenson Street
Cremorne Vic 3121
Melbourne
Australia
T +61 3 9600 4938
info@maderetail.com.au

Brazil

Distributed by Instant Shop
Authorized Distributor
Av. Nove de Julho, 5017 # 51
Cj. 51 - 5º Andar
São Paulo, SP - CEP 01407-200
Brazil
T +55 11 4858-1260
contato@instantshop.com.br

China

Distributed by Okamura Shanghai
Authorized Distributor
15Fax: B block, FutureLand building
No.5 Lane 388, Zhongjiang Road
Putuo District
Shanghai 200062
China
T +86 21 6359 6870
visplay@okamura-sha.com

Greece

Distributed by KYVERNITIS I. SA
Exclusive Dealer
125, G. Papandreou & Adrianou str.
144 51 Metamorfofi Athens
Greece
T +30 210 2855 777
info@kyvernitis.com

India

Distributed by
Matrix Visual Innovations Pvt. Ltd.
Authorized Distributor
45/1, 2nd Floor, Corner Market,
Malviya Nagar
New Delhi 110017
India
T +971 4 321 56 74
visplay-dubai@visplay.com

Italy

Distributed by Zeppelin s.r.l.
Exclusive Dealer
Via Matteucci, 2
61032 Fano PU
Italy
T +39 0721 851 042
info@zeppelinidesign.it

Japan

Distributed by
Okamura Corporation
Exclusive Dealer
Higashi Ote Bldg.,
1F1-1-7, Uchikanda, Chiyoda-ku
Tokyo 101-0047
Japan
T +81 3 5282 8743
info_visplay@okamura.co.jp

Middle East, Asia & Australia

Distributed by Klaus Bisch
Sales Agent
M +34 662 675 641
Klaus.Bisch.EXT@visplay.com
Spain

Panama

Distributed by Vidisplay S. A.
Authorized Distributor
Calle Ramon Jurado,
Paitilla Mall, Local 17 Piso 1
Punta Paitilla
Panama
Ciudad de Panamá
T +507 265 30 65
info@vidisplay.net

Poland, Czech Republic & Baltics

Distributed by
Meškank Interior Brands
Sales Agent
T +49 172 549 03 29
visplay-interiorbrands@visplay.com

Russia

Distributed by ULTIMATHULE
Exclusive Dealer
Business quartel „ARMA“
Nizhniy Susalniy per., 5 bld.18
105065 Moscow
Russia
T +7 495 988 21 20
visplay@ultimathule.ru

Turkey

Distributed by
Dekotek Mimarlık Ltd. Sti
Exclusive Dealer
Sair Nigar Sokak 80/8 Osmanbey
34363 Istanbul
Turkey
T +90 212 233 39 33
info@dekotek.com.tr

For other countries:

Visplay GmbH

Charles-Eames-Str. 2
79576 Weil am Rhein
T +49 (0)7621 702 4444
info@visplay.com