

Kado 25

Assembly and operating instructions
USA & CANADA

visplay

play it smart

Visplay products are manufactured according to the latest technology and comply with valid rules and regulations.

Nevertheless, these products can cause injury or damage if:

- the product is improperly installed
- the product is improperly used
- the product is improperly altered or modified
- original accessories are not used
- the safety regulations are not observed.

WARNING

Each person involved in the planning, installation and/or use of our products must be carefully read and observe these instructions of use.

The following are of course also valid:

- Relevant accident prevention regulations
- Generally recognized safety rules
- National regulations – please consult Visplay if there is a discrepancy with the Assembly manual

Safety instructions

WARNING

When playing, children often incorrectly assess danger. You must therefore make sure that your store fittings are not used as toys.

Please pay attention to the following points:

- Structural conditions, in particular the design and bearing capacity of walls, ceilings and floors. If bearing capacity for the specified tractive or pressure load cannot be achieved by suitable fastening or stabilising elements, please refrain from installation.
- All the structural components supplied for stabilising structures are to be used in an unrestricted manner and must not be removed.
- The products may only be loaded after all the installation steps have been completed.
- Merchandise supports should be loaded as evenly as possible.
- Avoid loading in fits and starts.
- The maximum weight loads is to be observed. This can be found in the instructions on assembly and use, as well as in our sales documentation.
- Furniture with castors is generally much more unstable than furniture with glides. Tall, heavy structures on castors should thus be avoided.
- The recommendations of your safety officer should also be observed.

General care for chrome, silk and pearl

In clothing retail applications, frequent dragging of clothes hangers along the surface can cause slight abrasion to their hooks. This effect is most pronounced - more so than with front-on horizontal or inclined-pole displays - where garments are hung side-on such that hangers have to be moved more frequently. To prevent garments from becoming soiled, cleaning of the hanging rods is essential.

This abrasion can be considerably reduced by using a coat hanger cover (scliss, 929-449.02).

No responsibility can be accepted for damage caused by soiling, as the above mentioned abrasion depends on the material of the coathangers in use.

With powder-coated surfaces subject to frequent use, use of special paints is recommended. We will be happy to advise you.

Use and care of merchandise supports with anodised aluminium surfaces

Visplay merchandise supports with anodised aluminium surfaces are hard-wearing. However, the exchange of accessories might cause slight marks on the surface. Accessories with plastic inserts usually cause less wear or none at all.

To remove the marks, we recommend using cleaning agents ranging from pH 5–8 (do not use any detergents with acidic or alkaline reaction). Clean by washing the surfaces using a sponge and water containing a wetting agent. Then remove any loose or greasy dirt. Rubbing off the surfaces with detergent using pure cotton waste or porous cleaning tissue and applying the necessary pressure in rubbing direction will remove the marks. Aluminium profiles with widths exceeding **200 mm/ 7.874"** must be subjected to abrasive cleaning using detergents specifically developed for this purpose. The cleaning agents developed for abrasive cleaning contain very finely ground neutral polishing agents and have to be adapted to the oxide layer. Alternatively, cleaning can be carried out using an abrasive fibrous web (e.g. Scotch-Brite, type A, red, fine or very fine) in combination with a non-abrasive detergent.

Subsequently, residual cleaning agents should to be rinsed off using a sponge and clear water. Then rub off the part with a chamois.

Copyright

This manual is protected by copyright. Its use is permissible as part of the use of the product. Any use other than this is not permitted without written consent of the manufacturer.

Our General Terms and Conditions apply for all orders.

Dimensions are generally shown in **millimeters** and inches.

Assembly dimensions / Layout

All structures of Kado 25 function according to the same principle and can be supplied either unassembled, partly assembled or fully assembled.

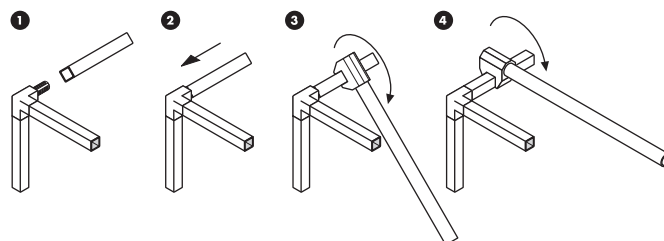
1 Gondolas with castors only recommended up to a max. height of 1320 mm/51.969". Max. height of gondolas 1830 mm/72.047".

1 Please observe the indications concerning weight loads and ensure that the substructure of the wall units/furniture and their fixtures can support the expected loads.
With free-standing furniture, ensure that there is sufficient stability even with the intended merchandise supports.

Assembly instructions

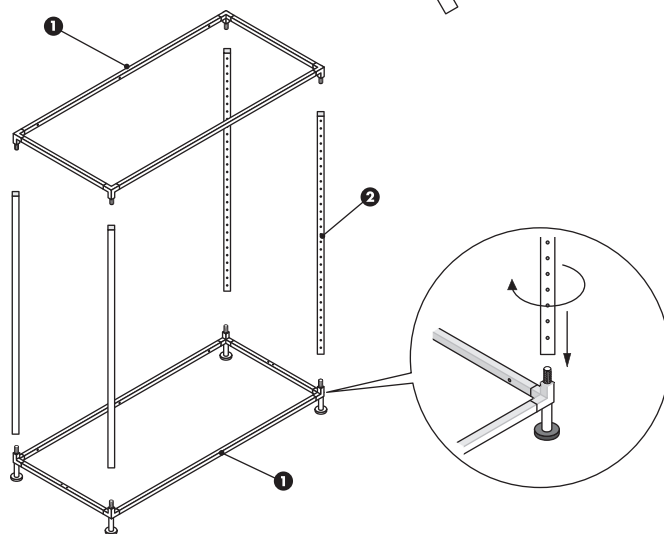
Connecting technique

1. Section turned 45°
2. push over connector to buffer
3. turn 45° with tool 923-025.21
4. and level.

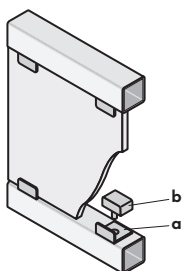


Assembly Kado

1. Assemble horizontal frame on a flat surface.
 - Corner connectors with holes for glides or castors at bottom
 - holes in the shorter connectors face upwards in the lower frame and face downwards in the upper frame.
2. Upright connecting sections (some with pitched slots) to be slotted at 45° between the frames (up to the buffers) and then turned 45° using the assembly tool. The slots face inwards for accessories.

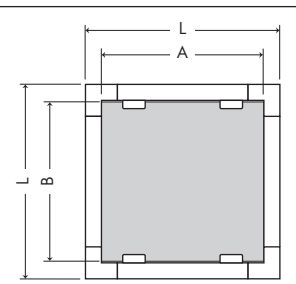


Glass side panels with glass panel retainers

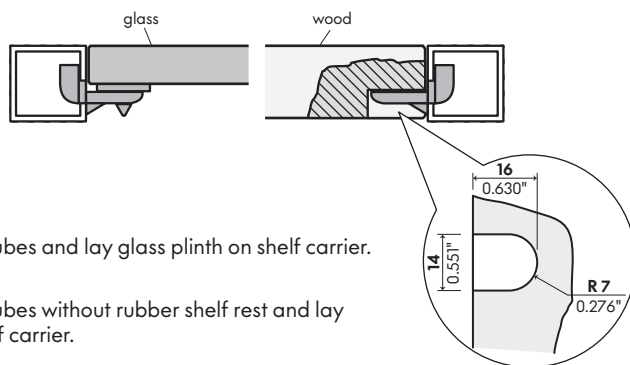
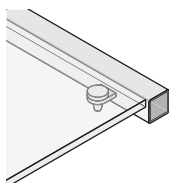


1. Fit all glass panel retainers (a).
2. Put the glass between the clips.
3. Insert locking peg (b) in retaining clip.

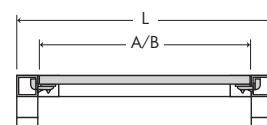
For calculating glass panel A x B:
 $A = \text{length } L - 52 \text{ mm}/2.047''$
 $B = \text{length } L - 57 \text{ mm}/2.244''$



Glass and wooden shelf top and plinth



For calculating glass/wooden shelf A x B:
 $A = \text{length } L - 52 \text{ mm}/2.047''$
 $B = \text{length } L - 52 \text{ mm}/2.047''$



Glass shelf:

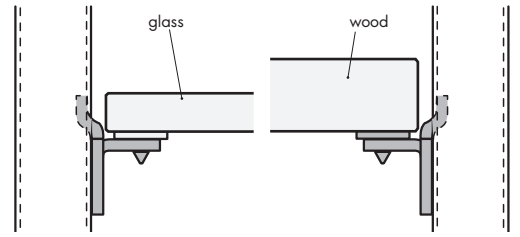
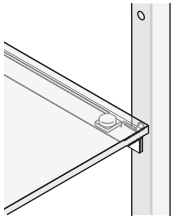
insert shelf carrier into horizontal tubes and lay glass plinth on shelf carrier.

Wooden shelf:

insert shelf carrier into horizontal tubes without rubber shelf rest and lay countersunk wooden plinth on shelf carrier.

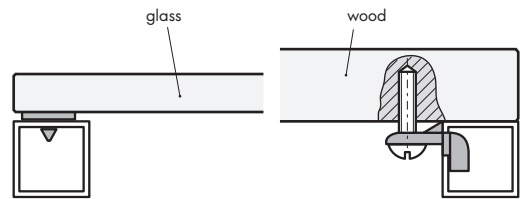
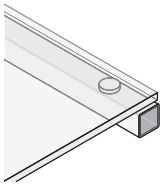
Glass and wooden shelf for vertical tubes

Insert shelf carrier into vertical tubes and lay glass or wooden plinth on shelf carrier.



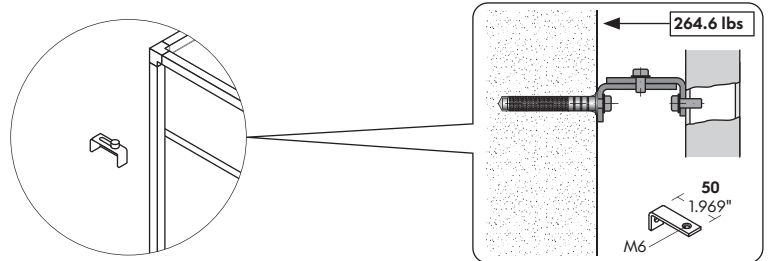
Glass and wooden shelf top

Insert shelf carrier upside down into horizontal tubes (without rubber pads) and secure wooden plinth with wood screws.

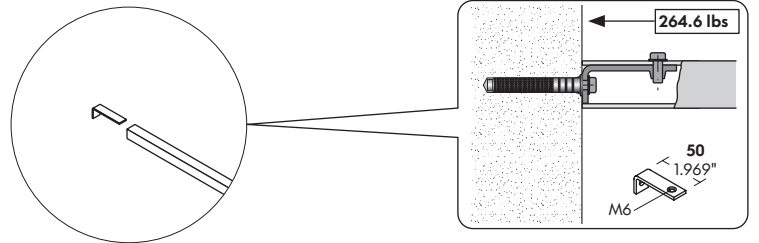


Wall fixing set for wall units

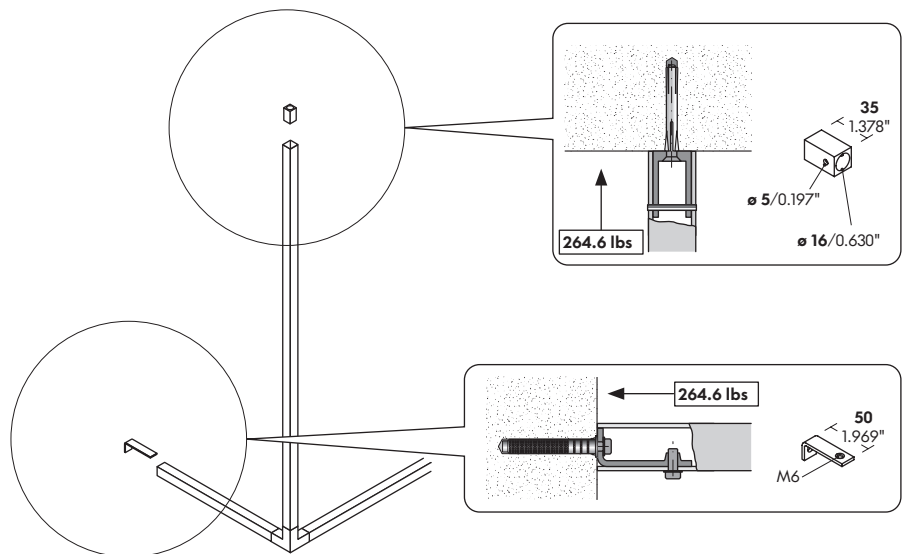
Wall units with a height above 1830 mm must be fixed to the wall: Screw wall fixing set to vertical tubes. Hole must face wall. Fix wall unit to wall.



Wall frame



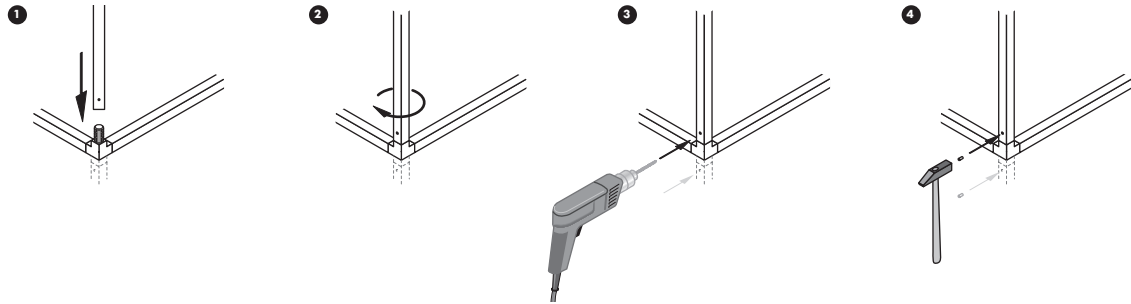
Wall frame fixed to ceiling



Wall frame and structures fixed to ceiling

ⓘ The fixtures must be selected according to the manufacturer's recommendations and the type of on-site masonry, and if necessary the substructure, must be able to support a tensile force of 264.6 lbs and a radial force of 88.185 lbs per upright.

1. Assemble horizontal frame on a flat surface. Ø 7 mm/0.276" holes in the connectors face inwards
2. Upright connectors to be inserted at 45° between the frames (up to the buffers) and then turned 45° using the assembly tool. The slots for accessories face inwards.
3. Use Ø 5 mm/0.197" drill to drill through hole in connector
4. Use hammer to insert grooved locking pin into drill hole.



ⓘ All vertical connectors in units fixed to the ceiling must be pinned.

Weight loads

ⓘ The indicated weight loads are always based on the total weights of the merchandise support and goods. Please also observe the weight loads indicated in our sales documentation.

Max. load

per castor Ø 50 mm/1.969"	88 lbs
per castor Ø 75 mm/2.953"	165 lbs
per glide Ø 50 mm/1.969"	132 lbs
Glass/wooden shelf	55 lbs

Visplay Companies

Offices & Showrooms

USA

Visplay Inc.
7528 Walker Way
Allentown, PA 18106
USA
T +1 610 366 1658
visplay-usa@visplay.com

Austria

Visplay Austria
Schottenring 12
1010 Wien
Austria
T +43 676 433 20 01
visplay-austria@visplay.com

Belgium

Visplay Belgium
Woluwelaan 137
1831 Diegem
Belgium
T +32 2 725 95 07
visplay-belgium@visplay.com

France

Visplay France
So Square Opéra
5, Rue Boudreau
75009 Paris
France
T +33 01 56 77 07 93
visplay-france@visplay.com

Germany

Visplay GmbH
Charles-Eames-Strasse 2
79576 Weil am Rhein
Germany
T +49 (0)7621 702 4444
info@visplay.com

Germany Showroom

Visplay GmbH
Charles-Eames-Strasse 2
79576 Weil am Rhein
Germany
T +49 (0)7621 702 4444
info@visplay.com

Netherlands

Visplay Netherlands
De Oude Molen 2
1184 VW Ouderkerk aan de Amstel
Netherlands
T +31 20 569 87 80
visplay-netherlands@visplay.com

Spain/Portugal/Latin America

Visplay Spain
Calle Padilla, 21
28006 Madrid
Spain
T +34 91 5775261
visplay-spain@visplay.com

United Arab Emirates

Visplay GmbH (Dubai BR)
Sheikh Zayed Road
P.O.Box: 213035
Sheikha Sana Mana
Al Maktoum Building
Office - M 10
Dubai
T +971 (0)4 321 56 74
visplay-dubai@visplay.com

United Kingdom

Visplay United Kingdom
30 Clerkenwell Road
London EC1M 5PG
United Kingdom
T +44 207 608 6200
visplay-uk@visplay.com

Visplay Exclusive Dealers / Sales Agents / Authorized Distributors

Australia

Distributed by MADE Retail Systems
Authorized Distributor
2 Stephenson Street
Cremorne Vic 3121
Melbourne
Australia
T +61 3 9600 4938
info@maderetail.com.au

Brazil

Distributed by Instant Shop
Authorized Distributor
Av. Nove de Julho, 5017 # 51
Cj. 51 - 5° Andar
São Paulo, SP - CEP 01407-200
Brazil
T +55 11 4858-1260
contato@instantshop.com.br

China

Distributed by Okamura Shanghai
Authorized Distributor
15Fax: B block, FutureLand building
No.5 Lane 388, Zhongjiang Road
Putuo District
Shanghai 200062
China
T +86 21 6359 6870
visplay@okamura-sha.com

Greece

Distributed by KYVERNITIS I. SA
Exclusive Dealer
125, G. Papandreou & Adrianou str.
144 51 Metamorfosi Athens
Greek
T +30 210 2855 777
info@kyvernitis.com

India

Distributed by
Matrix Visual Innovations Pvt. Ltd.
Authorized Distributor
45/1, 2nd Floor, Corner Market,
Malviya Nagar
New Delhi 110017
India
T +971 4 321 56 74
visplay-dubai@visplay.com

Italy

Distributed by Zeppelin s.r.l.
Exclusive Dealer
Via Matteucci, 2
61032 Fano PU
Italy
T +39 0721 851 042
info@zeppelinidesign.it

Japan

Distributed by
Okamura Corporation
Exclusive Dealer
Higashi Ote Bldg.,
1F1-1-7, Uchikanda, Chiyoda-ku
Tokyo 101-0047
Japan
T +81 3 5282 8743
info_visplay@okamura.co.jp

Panama

Distributed by Vidisplay S.A.
Authorized Distributor
Calle Ramon Jurado,
Paitilla Mall, Local 17 Piso 1
Punta Paitilla
Panama
Ciudad de Panamá
T +507 265 30 65
info@vidisplay.net

Poland, Czech Republic & Baltics

Distributed by
Meškank Interior Brands
Sales Agent
T +49 172 549 03 29
visplay-interiorbrands@visplay.com

Russia

Distributed by ULTIMATHULE
Exclusive Dealer
Business quartel „ARMA“
Nizhniy Susalnyi per., 5 bld.18
105065 Moscow
Russia
T +7 495 988 21 20
visplay@ultimathule.ru

Saudi Arabia

Distributed by Saudi TKT
Authorized Distributor
P.O. Box 10700
Jeddah 21443
Saudi Arabia
T +971 4 321 56 74
visplay-dubai@visplay.com

Turkey

Distributed by
Dekotek Mimarlık Ltd. Sti
Exclusive Dealer
Sair Nigar Sokak 80/8 Osmanbey
34363 Istanbul
Turkey
T +90 212 233 39 33
info@dekotek.com.tr

For other countries:

Visplay GmbH

Charles-Eames-Str. 2
79576 Weil am Rhein
T +49 (0)7621 702 4444
info@visplay.com